



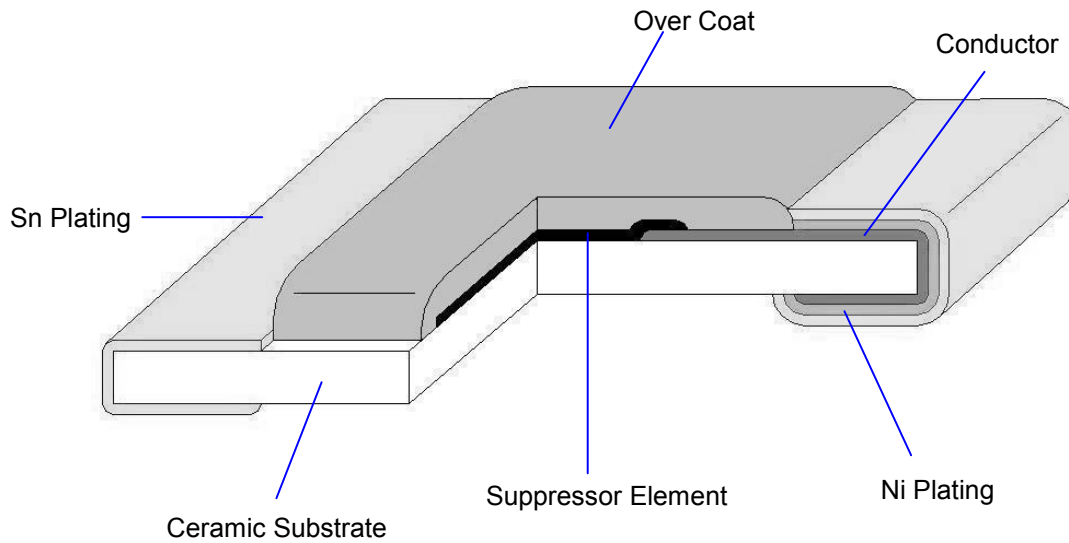
MAX Guard® Transient Voltage Suppressor (TGS Series)

Document No	TTGS-060S003C
Issued date	2015/03/19
Page	1/7

1. Scope

Bi-directional transient voltage suppressor (TGS) produced by Ta-I technology is designed for data line ESD protection in sensitive electronic circuit. This TGS is suitable for high data transmission applications because of its low device capacitance of lower than 1 pF.

2. Construction



3. Type Designation

TGS	06	A	12	T	30
MAX Guard Suppressor	Size 06:0603(1608)	A: Suit for IEC61000-4-2	Maximum Working Voltage 12:12V	Packaging T: Paper tape (5K)	Typical Clamping Voltage 30V



MAX Guard® Transient Voltage Suppressor (TGS Series)

Document No	TTGS-060S003C
Issued date	2015/03/19
Page	2/7

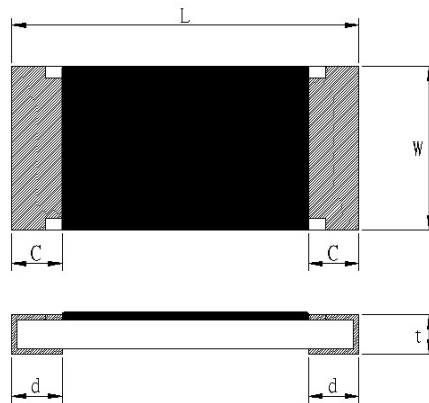
4. Rating and Characteristics:

Type	Maximum Working Voltage	ESD Capability ¹	Clamping Voltage (Typ.) ²	Capacitance (Typ.) ³	Leakage Current (Typ.)	ESD Pulse Withstand (Typ.) ⁴
TGS06A12T30	12V	Direct Discharge: 8KV Air Discharge: 15KV	30V	<1pF	<1 uA	>500 pulses

Note:

- (1)The function meets with the requirement of IEC 61000-4-2 specification.
- (2)Trigger measurement made using Transmission Line Pulse method.
- (3)Capacitance measured at 1M Hz.
- (4)Performing under IEC 61000-4-2 level 4 (8KV contact discharge, 15KV air discharge).

5. Dimensions



Type (Inch Size Code)	Dimensions (mm)				
	L	W	C	d	t
TGS06 (0603)	1.6±0.1	0.8±0.1	0.3±0.2	0.35±0.2	0.45±0.1



MAX Guard® Transient Voltage Suppressor (TGS Series)

Document No	TTGS-060S003C
Issued date	2015/03/19
Page	3/7

6. Reliability Test

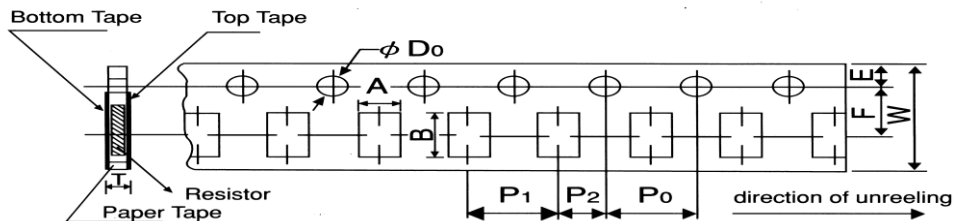
Environmental Specification	Reference Standard	Test Condition	Specification
Operating temperature		-55°C to 125°C	IL < 1μA ¹
Full load voltage		85°C for 1000 hrs at working voltage	
Resistance of solder heat	MIL-STD-202 Method 210	260 ± 5°C for 10 ± 1 sec	
Thermal shock	MIL-STD-202 Method 107	-55°C to 125°C, 5 cycles	
Moisture resistance	MIL-STD-883, Method 1004.7	85%RH, 85°C for 1000hrs at working voltage	
Solderability	MIL-STD-202, Method 208	245 ± 5°C solder, 2 ± 0.5 sec dwell. Solder: Sn96.5/Ag3.0/Cu0.5	95% coverage

Note: 1. IL is the simplification of Leakage Current

7. Taping and Reel

7.1 Taping Dimensions

4 mm pitch paper



Packing	Type	A	B	W	F	E	P ₁	P ₂	P ₀	D ₀	T
Paper Tape	TGS06	1.1±0.1	1.9±0.1	8.0±0.2	3.5±0.05	1.75±0.1	4.0±0.1	2.0±0.05	4.0±0.1	ψ1.5 +0.1 -0	0.64±0.1

Unit: mm

Type series		Paper Tape
		4 mm Pitch
		180mm/R
TGS	06	5000

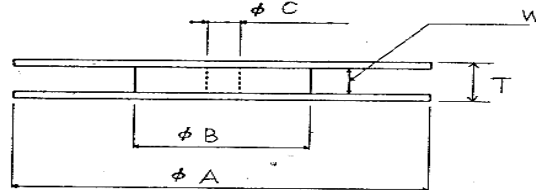
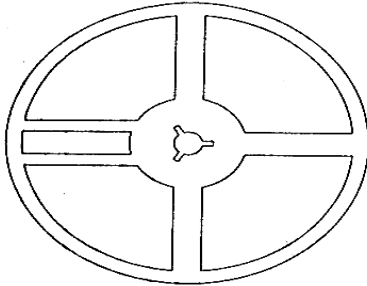
Unit: pcs



MAX Guard® Transient Voltage Suppressor (TGS Series)

Document No	TTGS-060S003C
Issued date	2015/03/19
Page	4/7

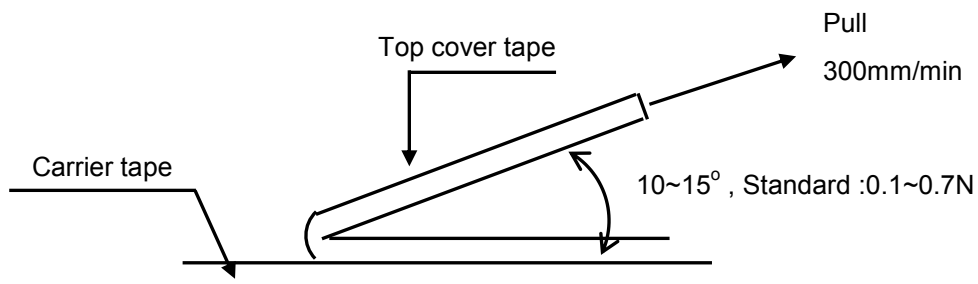
7.2 Reel Specifications



Unit: mm

Series	ψA	ψB	ψC	W	T
TGS06	180^{+0}_{-3}	60 min	13.0 ± 1.0	9.0 ± 1.0	11.4 ± 2.0

7.3 Peel –off force



8. Storage Conditions:

Temperature: 5°C~35°C, Humidity: 40%~75%

9. Shelf Life:

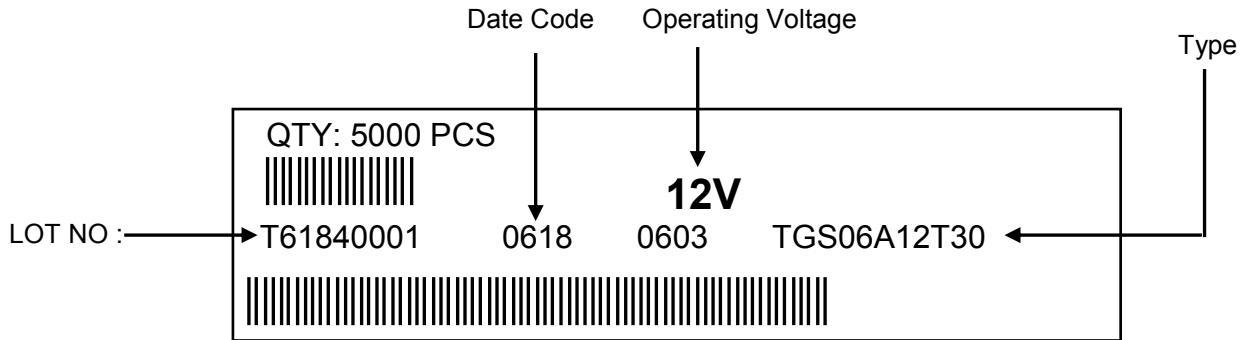
2 years from manufacturing date



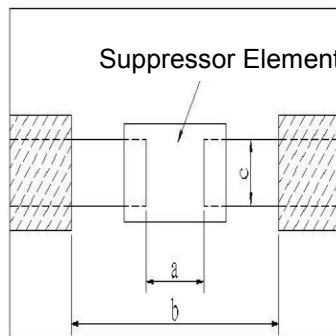
**MAX Guard® Transient Voltage Suppressor
(TGS Series)**

Document No	TTGS-060S003C
Issued date	2015/03/19
Page	5/7

10. Label



11. Recommended land patterns



Unit: mm

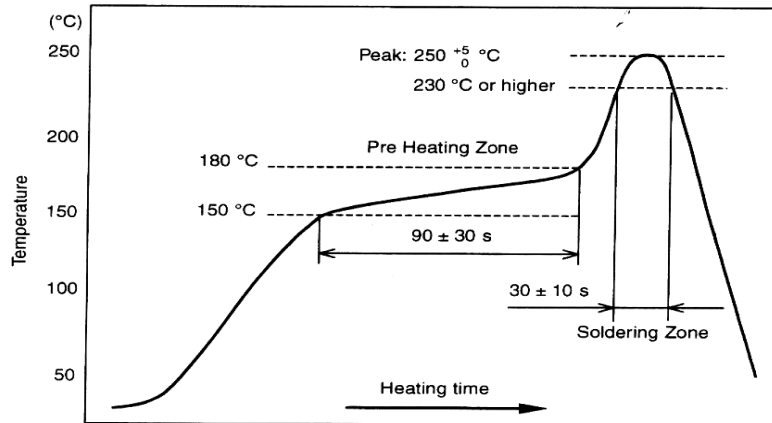
Type	Land Pattern Size	Dimension		
		a	b	c
TGS	06 (0603)	0.7~0.9	2.0~2.2	0.8~1.0



MAX Guard® Transient Voltage Suppressor (TGS Series)

Document No	TTGS-060S003C
Issued date	2015/03/19
Page	6/7

12. Recommend IR – Reflow profile : (solder : Sn96.5 / Ag3 / Cu0.5)



Peak : $250 \pm 5 \text{ }^{\circ}\text{C}$, 5 sec

Pre – heat Zone : $150 \text{ }^{\circ}\text{C}$ to $180 \text{ }^{\circ}\text{C}$, $90 \pm 30 \text{ sec}$

Soldering Zone : $230 \text{ }^{\circ}\text{C}$ or higher , $30 \pm 10 \text{ sec}$

13. ECN

Engineering Change Notice: The customer will be informed with ECN if there is significant modification on the characteristics and materials described in Approval Sheet.

14. Manufacturing Country & City :

TA-I TECHNOLOGY CO., LTD. (Taiwan – Tao Yuan)
Tel: 886-3-3246169 Fax : 886-3-3246167

Associated companies :

(1) FORTUNE TASK RESISTOR FACTORY (China – Dong Guan)
Tel : 86-769-83394790 Fax : 86-769-83394794

(2) TA-I TECHNOLOGY (SU ZHOU) CO., LTD. (China – Su Zhou)
Tel : 86- 512-63457879 Fax : 86-512-63457869

(3) TAI OHM ELECTRONICS (M) SDN. BHD. (Malaysia – Pulaupinang)
Tel : 604- 3900480 Fax : 604-3901481

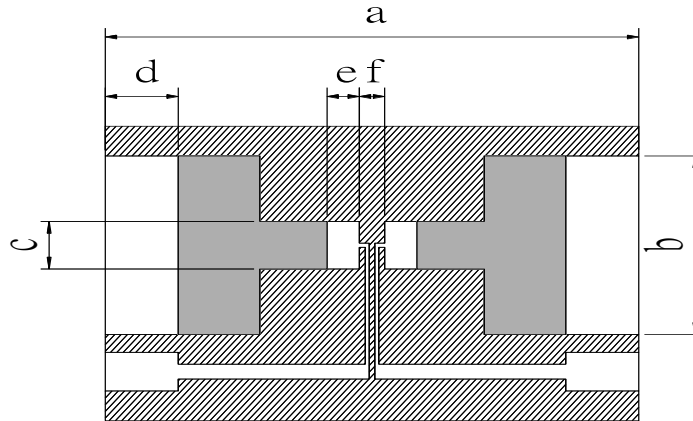
(4) P.T.TAI ELECTRONICS Indonesia (Indonesia – Jakarta)
Tel : 62-21-89830123 Fax : 62-21-89830703



**MAX Guard® Transient Voltage Suppressor
(TGS Series)**

Document No	TTGS-060S003C
Issued date	2015/03/19
Page	7/7

15. Test Circuit Board



Type	a	b	c	d	e	f
TGS0603	19	6	1.6	2.6	1.15	0.9

Unit: mm