



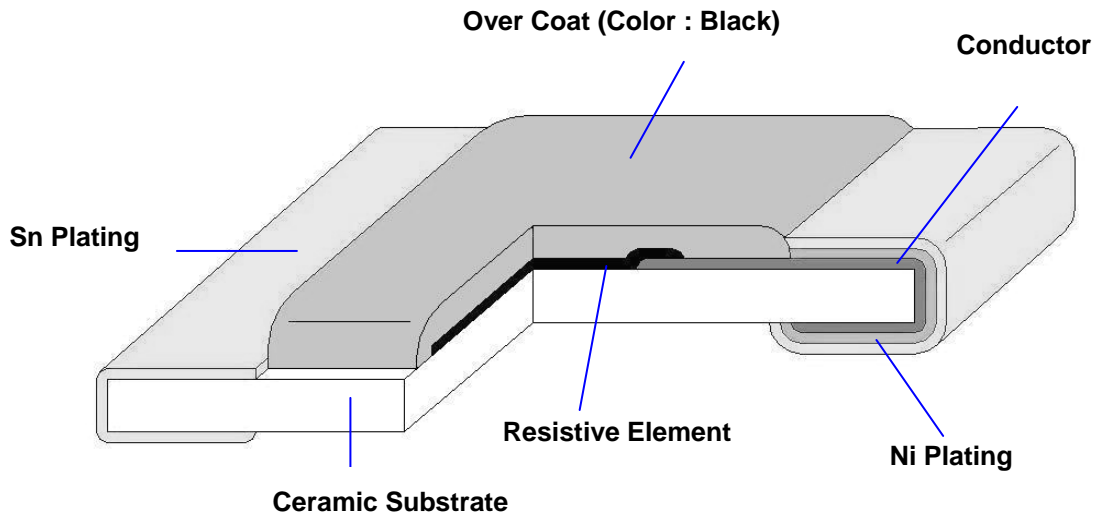
**Anti-Surge Chip Resistors**  
 ( Lead-Free for RAS06 series standard )  
**Halogen-Free**

Document No.	TRAS-060S001B
Revise Date	2019/02/26
page number	1/12

**1. Scope :**

This specification applies for the RAS06 series of Anti-Surge chip resistors made by TA-I.

**2. Construction :**



**3. Type Designation :**

<b><u>RAS</u></b>	<b><u>06</u></b>	<b><u>J</u></b>	<b><u>TN</u></b>	<b><u>100</u></b>
Product Code	Size	Tolerance	Packaging	Nominal
RAS : Anti-Surge Chip Resistor	Power Rating	Resistance		

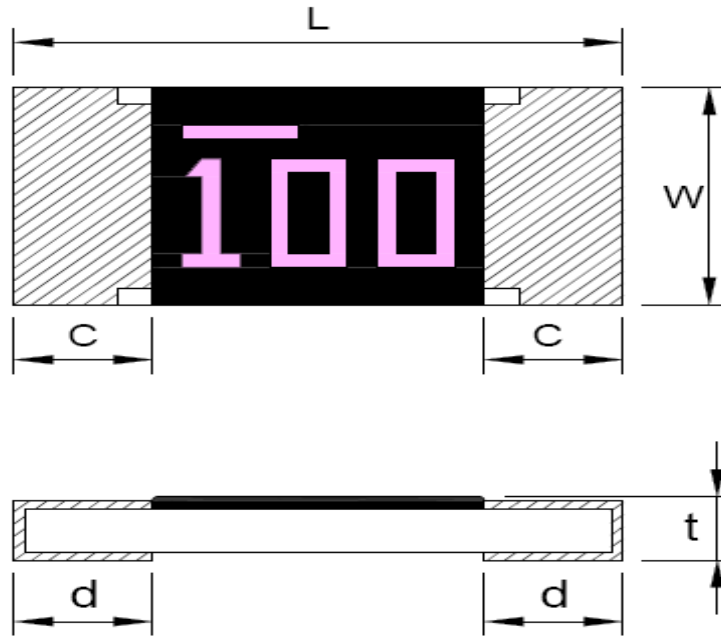
06-0603(1608) 1/5W	F-±1% J-±5% K-±10%	T-Paper Tape  +N : Lead-Free	3 digits, e.g., : (E-24) 100 = 10Ω 4 digits, e.g., : (E-96) 1001 = 1KΩ 43R2 = 43.2Ω
--------------------	--------------------------	------------------------------------	---



**Anti-Surge Chip Resistors**  
 ( Lead-Free for RAS06 series standard )  
**Halogen-Free**

Document No.	TRAS-060S001B
Revise Date	2019/02/26
page number	2/12

**4. Dimensions :**



UNIT: mm

Type	L	W	C	d	t
RAS06	1.60±0.10	0.80±0.10	0.30±0.20	0.30±0.20	0.45±0.10

**5. Ratings & Characteristics :**

Type	Power Rating at 70°C	Rating Voltage	Max. Working Voltage	Max. Over-Load Voltage	T.C.R (PPM/°C)	Resistance Range(Ω)		
						F(±1%)	J(±5%)	K(±10%)
RAS06	1/5W	Refer 5.2	50V	100V	±100	1~15KΩ	1~15KΩ	1~15KΩ

Operating Temp (°C) : -55°C ~ +155°C

Note : Except for the above standardized products, we also provide the customized products.

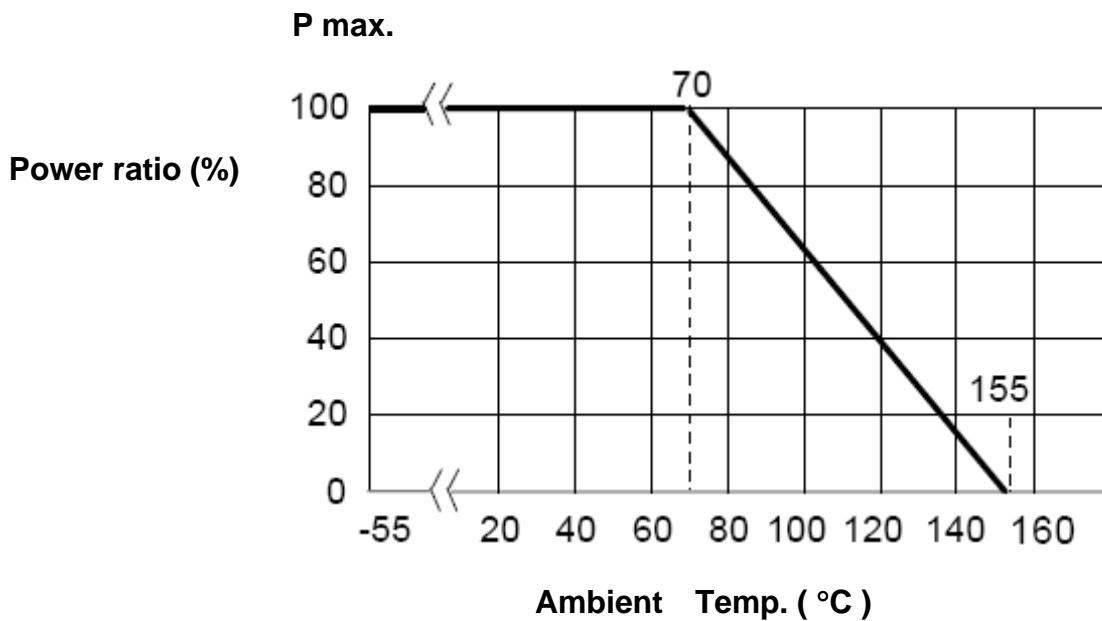


**Anti-Surge Chip Resistors**  
**( Lead-Free for RAS06 series standard )**  
**Halogen-Free**

Document No.	TRAS-060S001B
Revise Date	2019/02/26
page number	3/12

**5.1. Derating Curve :**

For resistors operated at ambient temperature over 70°C , power rating shall be derated in accordance with figure 1.



**Figure 1**

**5.2. Rated Voltage :**

The rated voltage is calculated by the following formula:

$$E = \sqrt{P * R}$$

E=Rated Voltage(V)

P=Rated Power(W)

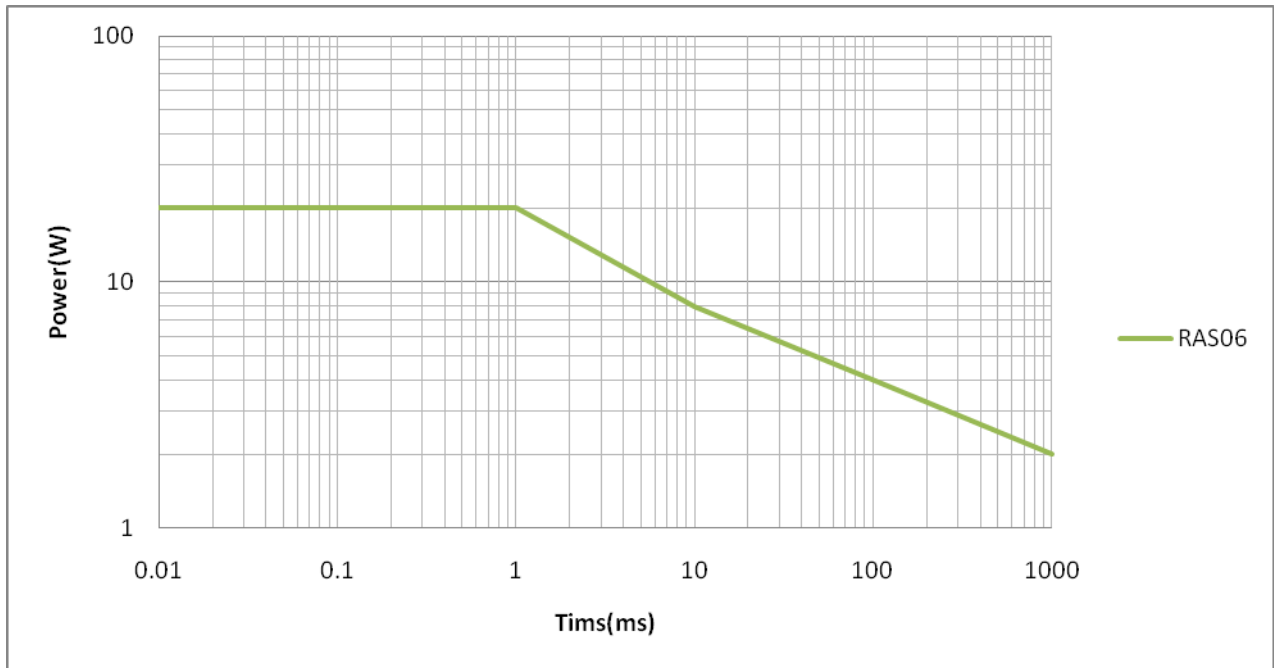
R=Resistance Value( $\Omega$ )



**Anti-Surge Chip Resistors**  
**( Lead-Free for RAS06 series standard )**  
**Halogen-Free**

Document No.	TRAS-060S001B
Revise Date	2019/02/26
page number	4/12

**5.3. Single Pulse Limiting Power Curve :**





**Anti-Surge Chip Resistors**  
**( Lead-Free for RAS06 series standard )**  
**Halogen-Free**

Document No.	TRAS-060S001B
Revise Date	2019/02/26
page number	5/12

**6. Reliability Tests :**

Test Items	Reference standard	Condition of Test	Test Limits $\Delta R$
Temperature Coefficient of Resistance	IEC60115-1-4.8 JIS-C5201-1-4.8	-55~ +125 °C	Refer 5.0
Short Time Overload	IEC60115-1-4.13 JIS-C5201-1-4.13	2.5 X rated voltage for 5 sec	$\pm(1\% + 0.05\Omega)$
Intermittent Overload	IEC60115-1-4.39 JIS-C5201-1-4.39	3.0 X rated voltage or Max Overloading voltage ,1sec "ON" , 25sec "OFF" ,10000 cycles	$\pm (5.0\% + 0.1\Omega)$
Endurance (Load Life)	IEC60115-1-4.25.1 JIS-C5201-1-4.25.1	1000 hours at rated voltage, 70°C , 1.5hours "ON" , 0.5hour "OFF"	$\pm(3.0\%+0.1\Omega)$
Load Life with Humidity	IEC60115-1-4.24 JIS-C5201-1-4.24	1000 hours at rated voltage , 40 $\pm$ 2°C, 90~95% RH 1.5hours "ON" , 0.5hour "OFF"	$\pm(3.0\%+0.1\Omega)$
Rapid Change of Temperature	IEC60115-1-4.19 JIS-C5201-1-4.19	-55°C (30 min. ) / +155 °C(30 min. ) 5 cycles	$\pm(1.0\%+0.05\Omega)$
Solderability	IEC60115-1-4.17 JIS-C5201-1-4.17	245 $\pm$ 5°C solder, 2 $\pm$ 0.5 sec dwell. Solder : Sn96.5 / Ag3.0 / Cu0.5	At least 95% of surface area of electrode shall be covered with new solder.
Robustness of Termination (Bending)	IEC60115-1-4.33 JIS-C5201-1-4.33	3mm deflection	$\pm(1.0\%+0.05\Omega)$
Dielectric Withstanding Voltage (Voltage Proof)	IEC60115-1-4.7 JIS-C5201-1-4.7	Applying voltage : The 500V for a minute .	No abnormalities such as flashover, burning dielectric breakdown shall appear.
Insulation Resistance	IEC60115-1-4.6 JIS-C5201-1-4.6	Applying voltage 100V for 1 minute.	$\geq 1G\Omega$
Resistance to Dry Heat	IEC60115-1-4.23.2 JIS-C5201-1-4.23.2	155 $\pm$ 5°C for 96 $\pm$ 4Hrs	$\pm(2.0\%+0.1\Omega)$
Resistance to Solder Heat	IEC60115-1-4.18 JIS-C5201-1-4.18	270 $\pm$ 5°C solder , 10 $\pm$ 1 sec dwell .	$\pm(1.0\%+0.05\Omega)$

Note\* : RCWV : Rated continuous working voltage .



**Anti-Surge Chip Resistors**  
**( Lead-Free for RAS06 series standard )**  
**Halogen-Free**

Document No.	TRAS-060S001B
Revise Date	2019/02/26
page number	6/12

## 7. Marking

### 7.1 ±5% , ±10%(E24) :

Resistance value is expressed by 3 digits, the first two digits represent the significant figures of nominal resistance value in  $\Omega$ , and the third digit represents exponent for base of 10.

E.G. :,  $\bar{1}00 = 10 \times 10^0 = 10 \Omega$



### 7.2 ±1% ( E96):

When the marking space is too small in such small-sized resistors as RAS06, the marking can not made by 4 digits and may be made by two digits combined with one English capital.

**Symbol for E96 series nominal resistance value**

Symbol	E96	Symbol	E96	Symbol	E96	Symbol	E96
01	100	25	178	49	316	73	562
02	102	26	182	50	324	74	576
03	105	27	187	51	332	75	590
04	107	28	191	52	340	76	604
05	110	29	196	53	348	77	619
06	113	30	200	54	357	78	634
07	115	31	205	55	365	79	649
08	118	32	210	56	374	80	665
09	121	33	215	57	383	81	681
10	124	34	221	58	392	82	698
11	127	35	226	59	402	83	715
12	130	36	232	60	412	84	732
13	133	37	237	61	422	85	750
14	137	38	243	62	432	86	768
15	140	39	249	63	442	87	787
16	143	40	255	64	453	88	806
17	147	41	261	65	464	89	825
18	150	42	267	66	475	90	845
19	154	43	274	67	487	91	866
20	158	44	280	68	499	92	887
21	162	45	287	69	511	93	909
22	165	46	294	70	523	94	931
23	169	47	301	71	536	95	953
24	174	48	309	72	549	96	976

**Symbol for multipliers**

Symbol	A	B	C	D	E	F	G	H	X	Y	Z
multipliers	$10^0$	$10^1$	$10^2$	$10^3$	$10^4$	$10^5$	$10^6$	$10^7$	$10^{-1}$	$10^{-2}$	$10^{-3}$



**Anti-Surge Chip Resistors**  
**( Lead-Free for RAS06 series standard )**  
**Halogen-Free**

Document No.	TRAS-060S001B
Revise Date	2019/02/26
page number	7/12

E.G :  $\bar{0}1A = 100 \times 10^0 = 100 \Omega$



**Notes :**

When the resistance value is not in the list of E96 , 3 digitals with underline in E-24 series is used as mark .

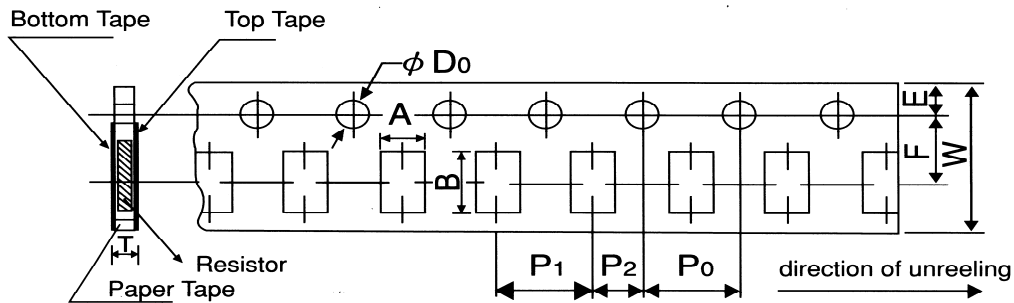
E.G. : 0603 ,  $120 \Omega$  , 1% Marking is  $\bar{1}21$



**8. Taping & Reel :**

**8.1 Taping Dimensions**

**8.1.1 4 mm pitch paper:**



Packing	Type	A	B	W	F	E	P <sub>1</sub>	P <sub>2</sub>	P <sub>0</sub>	D <sub>0</sub>	T
Paper	06	1.1±0.1	1.9±0.1	8.0±0.2	3.5±0.05	1.75±0.1	4.0±0.1	2.0±0.05	4.0±0.1	$\phi 1.5$ +0.1 -0	0.64±0.1

**UNIT: mm**

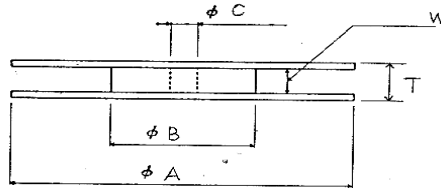
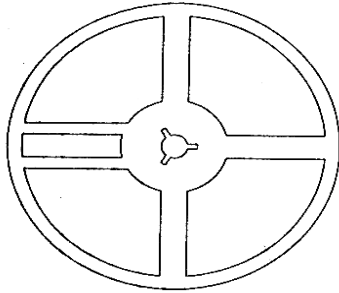
Type	Size	Package	Paper Tape
			4 mm pitch
			178mm/R
RAS	06		5000



**Anti-Surge Chip Resistors**  
 ( Lead-Free for RAS06 series standard )  
**Halogen-Free**

Document No.	TRAS-060S001B
Revise Date	2019/02/26
page number	8/12

**8.2 Reel Specifications:**

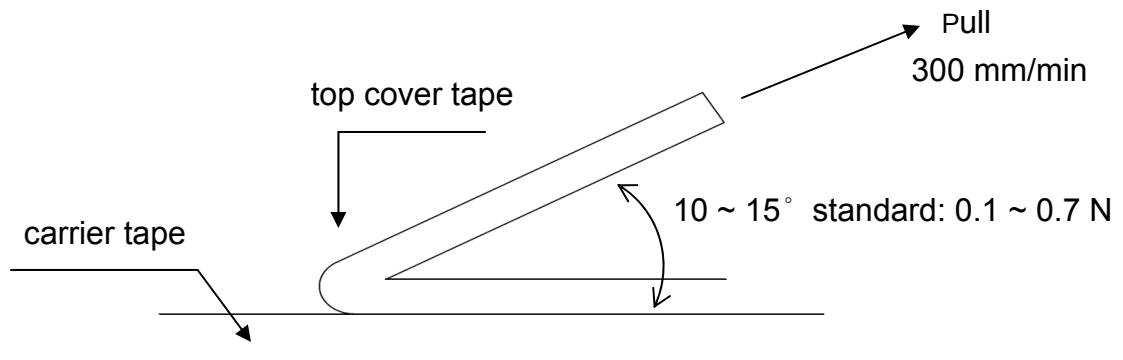


UNIT: mm

Type	$\phi A$	$\phi B$	$\phi C$	W	T
RAS06	$178.0 \pm 2.0$	$60.0 \pm 1.0$	$13.0 \pm 1.0$	$9.0 \pm 1.0$	$11.5 \pm 1.0$

**8.3. Peel –off force :**

Peel –off force of paper and blister tape is in accordance with “JIS-C5202 ”  
 that is , 0.1 to 0.7 N at a peel-off speed of 300 mm / minute.





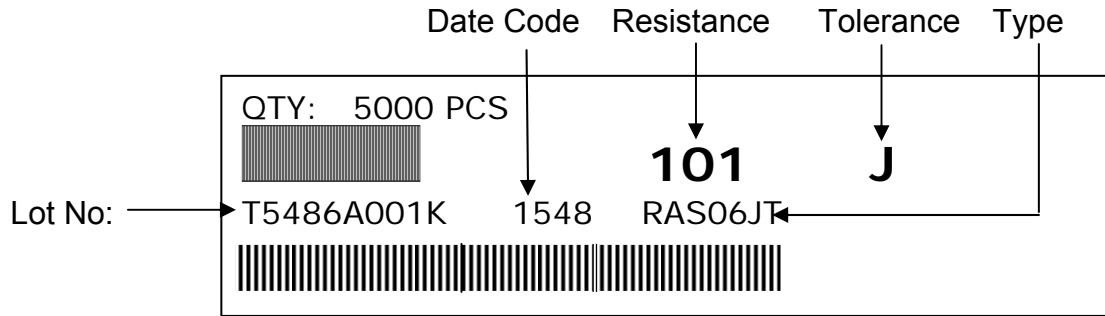


**Anti-Surge Chip Resistors**  
 ( Lead-Free for RAS06 series standard )  
**Halogen-Free**

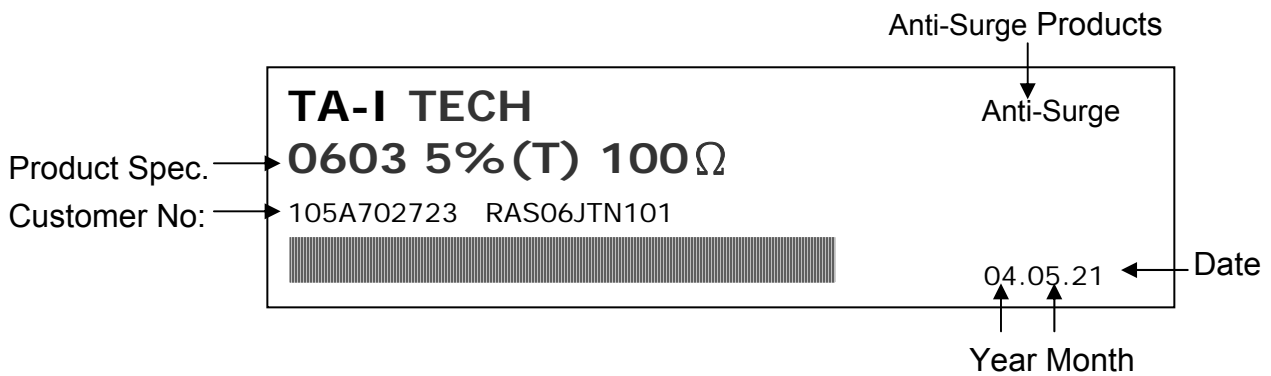
Document No.	TRAS-060S001B
Revise Date	2019/02/26
page number	9/12

**9. Label :**

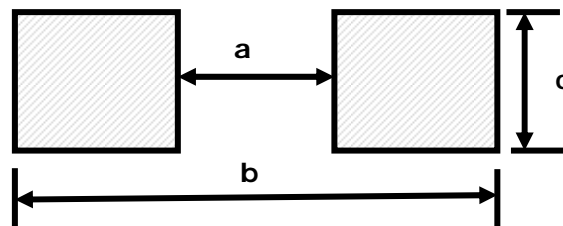
**9.1 Manufacture Label :**



**9.2 Customer Label ( By customer request ):**



**10. Recommended land patterns :**



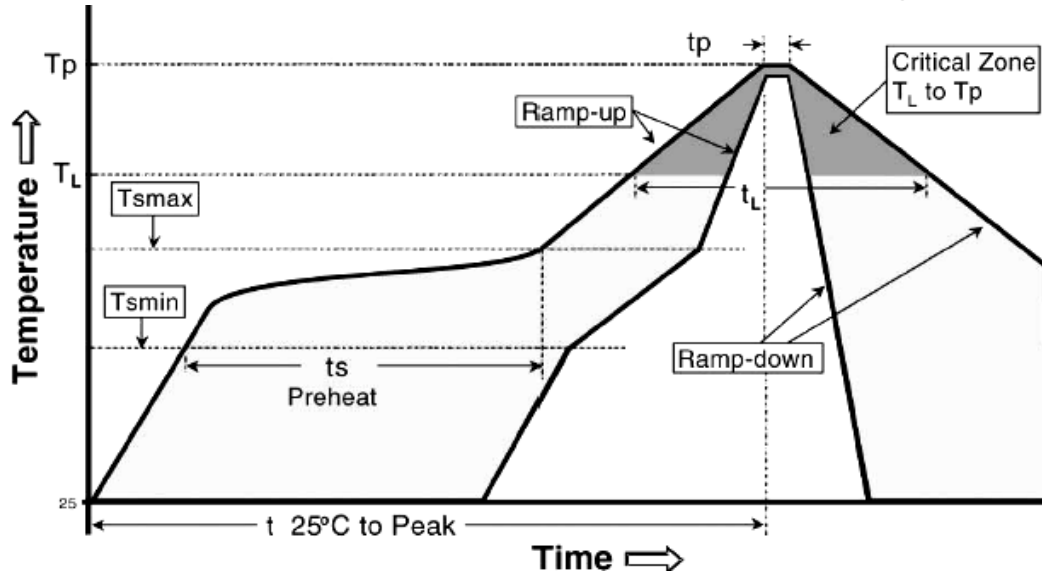
Land pattern		Dimension ( mm )		
Type	Size	a	b	c
RAS	06 (0603 )	0.7~0.9	2.0~2.2	0.8~1.0



**Anti-Surge Chip Resistors**  
 ( Lead-Free for RAS06 series standard )  
**Halogen-Free**

Document No.	TRAS-060S001B
Revise Date	2019/02/26
page number	10/12

**11. Recommend IR – Reflow profile : (solder : Sn96.5 / Ag3 / Cu0.5)**



Profile Feature	Lead (Pb )-Free Assembly
Average ramp-up rate (Tsmax to Tp)	3°C / second max.
Preheat - Temperature Min (Tsmmin) - Temperature Max (Tsmmax) - Time (Tsmmin to Tsmmax) (ts)	150°C 200°C 60 -150 seconds
Time maintained above : - Temperature (Tl) - Time (Tl)	217°C 60-120 seconds
Peak Temperature (Tp)	260°C
Time within $+0$ $-5$ °C of actual Peak Temperature (tp) <sup>2</sup>	10 seconds
Ramp-down Rate	6°C/second max.
Time 25°C to Peak Temperature	8mimutes max.

Allowed Re-flow times : 3 times

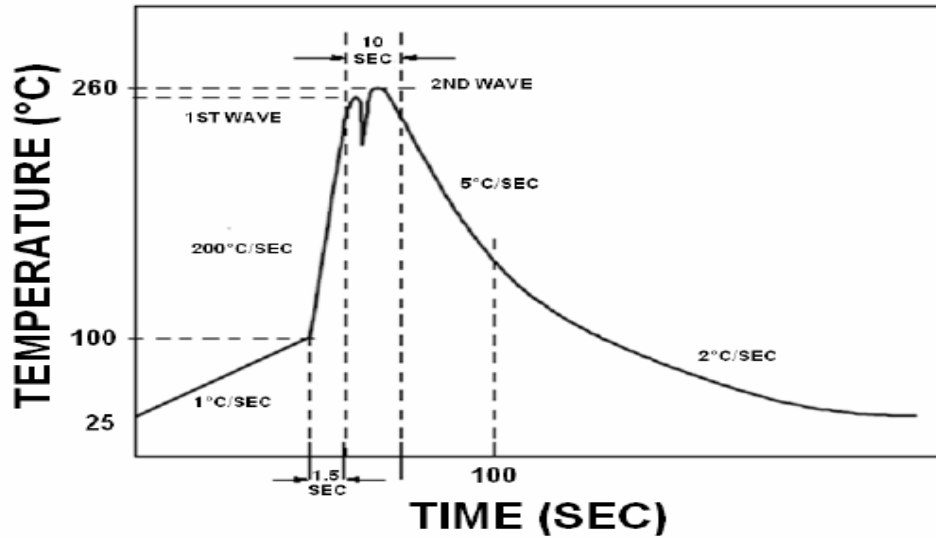
Remark : To avoid discoloration phenomena of chip on terminal electrodes,  
 please use N2 Re-flow furnace .



**Anti-Surge Chip Resistors**  
**( Lead-Free for RAS06 series standard )**  
**Halogen-Free**

Document No.	TRAS-060S001B
Revise Date	2019/02/26
page number	11/12

**12. Recommend Wave-Solder profile : (solder : Sn96.5 / Ag3 / Cu0.5)**



**13. Solder iron conditions:**

Bit temperature :  $350 \pm 10^{\circ}\text{C}$

Application time of soldering iron : 3 sec

The number of times of work: 1 time

**14. Storage Conditions:**

Temperature:  $5^{\circ}\text{C} \sim 35^{\circ}\text{C}$ , Humidity: 40%~75%

**15. Shelf Life:**

2 years from manufacturing date.



**Anti-Surge Chip Resistors**  
**( Lead-Free for RAS06 series standard )**  
**Halogen-Free**

Document No.	TRAS-060S001B
Revise Date	2019/02/26
page number	12/12

**16. ECN :**

Engineering Change Notice: The customer will be informed with ECN if there is significant modification on the characteristics and materials described in Approval Sheet.

**17. Manufacturing Country & City :**

TA-I TECHNOLOGY CO., LTD. ( Taiwan– Tao Yuan )  
Tel: 886-3-3246169 Fax : 886-3-3246167

TA-I TECHNOLOGY ( SU ZHOU ) CO., LTD. ( China – Su Zhou)  
Tel :86- 512-63457879 Fax : 86-512-63457869

**Associated companies :**

(1) FORTUNE TASK RESISTOR FACTORY ( China – Dongguan )  
Tel : 86-769-8339-4790~3 Fax : 86-769-8339-4794

(2) TA-I TECHNOLOGY ELECTRONIC (DONGGUAN ) CO., LTD. ( China –Dongguan )  
Tel : 86-769-8339-4790~3 Fax : 86-769-8339-4794

(3) TAI OHM ELECTRONICS ( M ) SDN. BHD. ( Malaysia –Penang )  
Tel :604- 3900480 Fax : 604-3901481

(4) P.T.TAI ELECTRONICS Indonesia ( Indonesia – Jakarta )  
Tel :62-21-89830123 Fax : 62-21-89830703